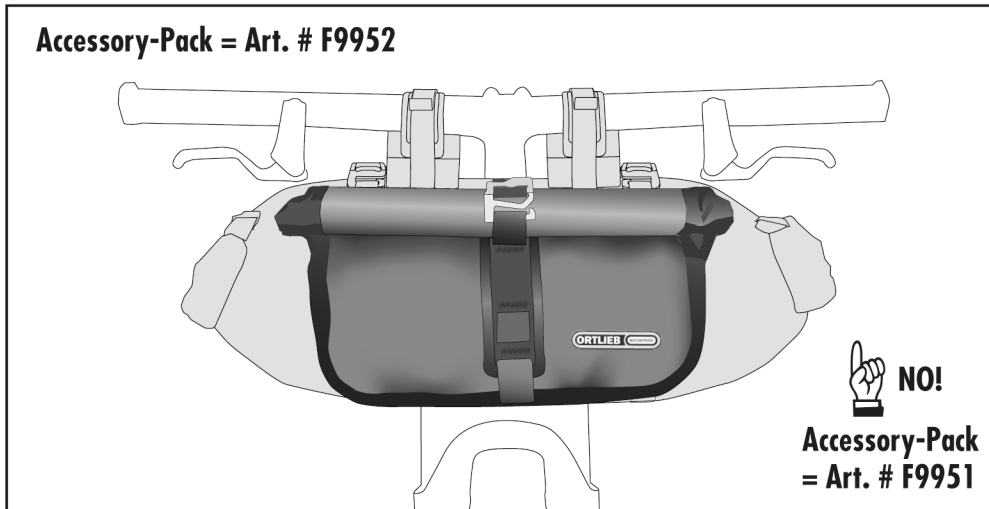


### ACCESSORIES

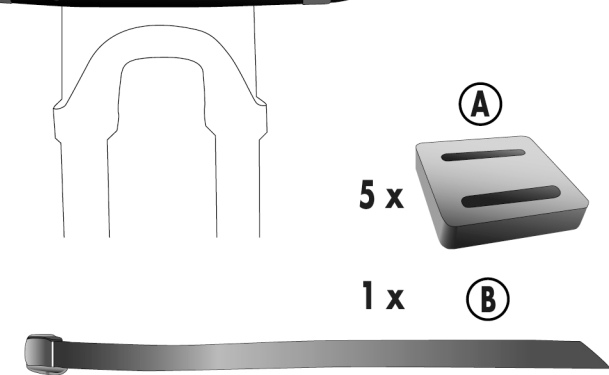
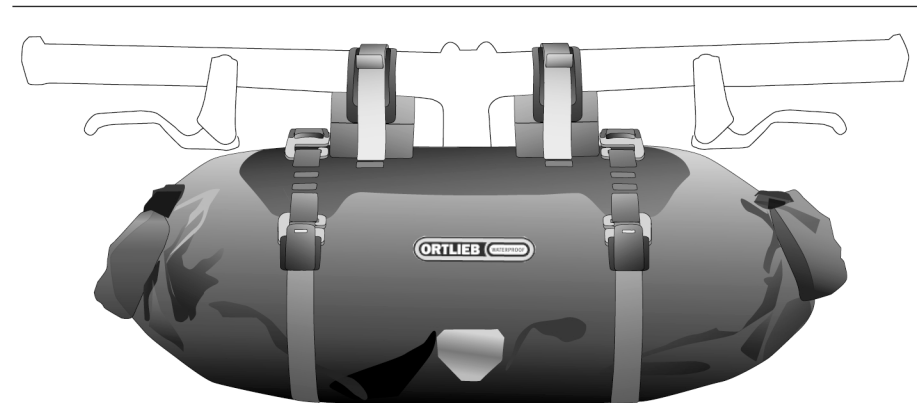
Accessory-Pack = Art. # F9952



## HANDLEBAR-PACK 9 L



- |    |                         |    |                          |
|----|-------------------------|----|--------------------------|
| DE | MONTAGEANLEITUNG        | ES | INSTRUCCIONES DE MONTAJE |
| GB | ASSEMBLY INSTRUCTIONS   | SE | MONTERINGSANVISNING      |
| FR | INSTRUCTIONS DE MONTAGE | NO | MONTERINGSANVISNING      |
| IT | ISTRUZIONI DI MONTAGGIO | FI | ASENNUSOHJEET            |
| NL | MONTAGE HANDLEIDING     | PL | INSTRUKCJA MONTAZU       |
| DK | MONTERINGSVEJLEDNING    | JP | 装着方法                     |



WEITERE INFORMATIONEN:

MORE INFORMATION:

<https://www.youtube.com/watch?v=CuMWYUYhSoM>



[www.ortlieb.com](http://www.ortlieb.com)

WA136 0820

