








# Thru Axle M6 Connector

- DE MONTAGEANLEITUNG
- GB ASSEMBLY INSTRUCTIONS
- FR INSTRUCTIONS DE MONTAGE
- IT ISTRUZIONI DI MONTAGGIO
- NL MONTAGE HANDLEIDING
- DK MONTERINGSVEJLEDNING
- ES INSTRUCCIONES DE MONTAJE
- SE MONTERINGSANVISNING
- NO MONTERINGSANVISNING
- FI ASENNUSOHJEET
- PL INSTRUKCJA MONTAŻU
- JP 装着方法

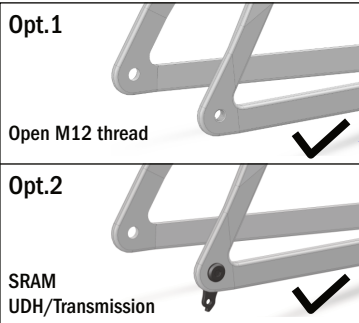


## A Thru Axle

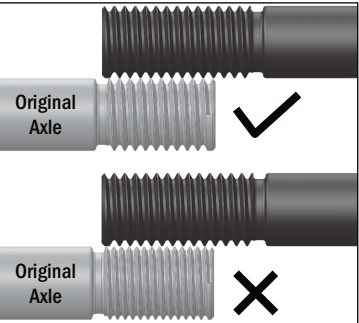
-  **B** 2x Spacer, 1.5mm
-  **C** Spacer, 3mm
-  **D** Spacer, 6mm
-  **E** 45° Spacer, 3mm

-  **F** M6 Spacer, 1.5mm
-  **G** 2x M6x40
-  **H** 2x M6x25

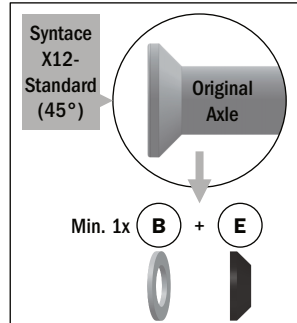
### 1.1 Check compatibility



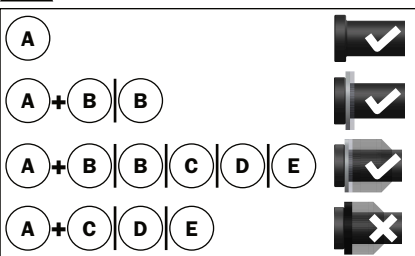
### 1.2 Check axle thread



### ! 2.1 Axle requirement



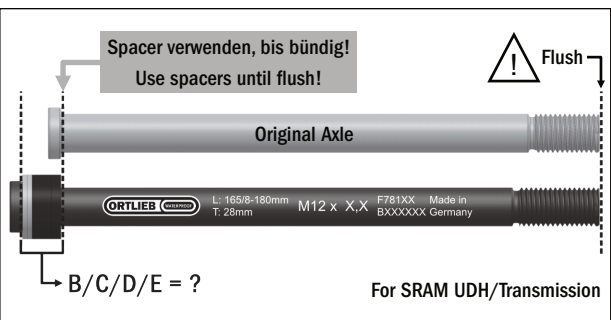
### ! 2.2 Spacer combination



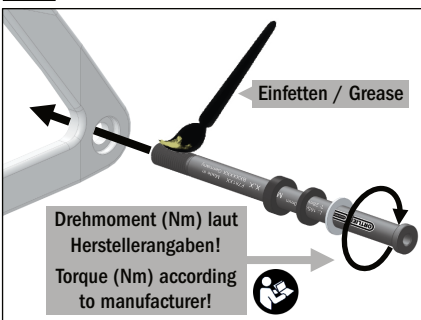
### 2.3 (Opt.1) Spacer determination open M12 thread



### 2.3 (Opt.2) Spacer determination SRAM UDH/Transmission

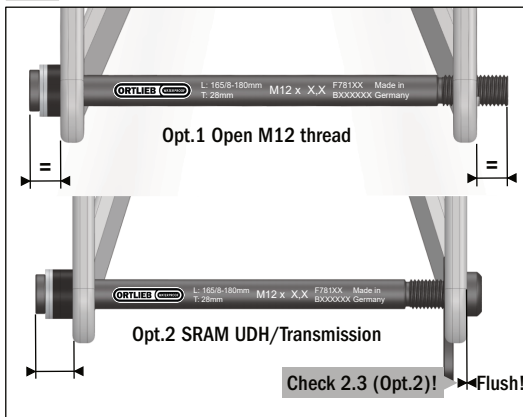


### ! 2.4 Thru axle mount

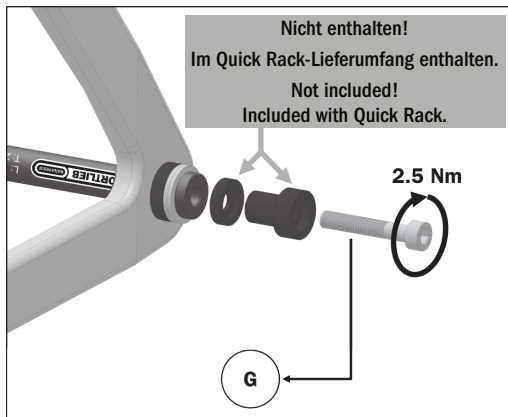




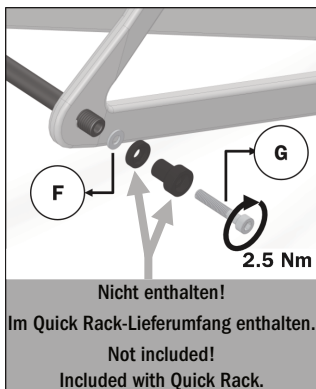
## 2.5 Check correct positioning!



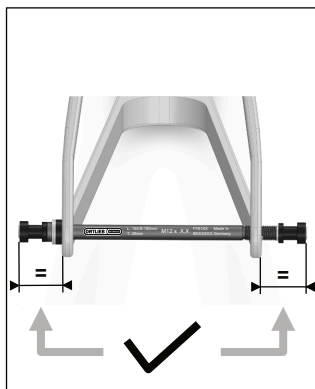
## Mounting Option (MO) 1.1 Quick Rack



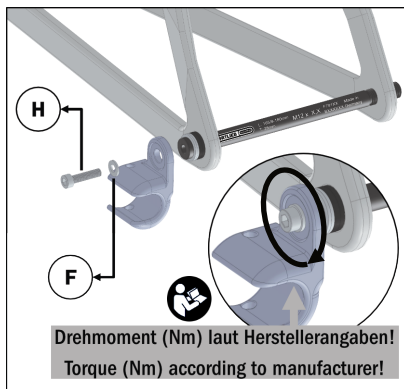
## MO 1.2 Quick Rack



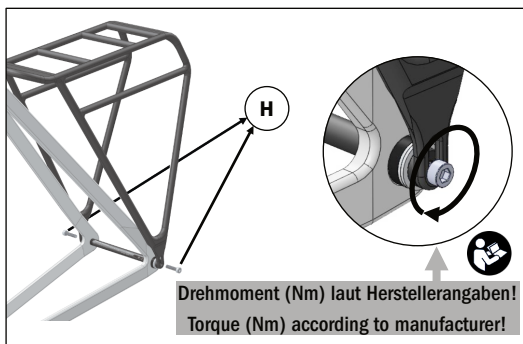
## MO 1.3 Quick Rack



## MO 2 Trailer hitch



## MO 3 Bolt-on Rack



WEITERE INFORMATIONEN:  
MORE INFORMATION:

<https://www.youtube.com/watch?v=CuMWYUYhSoM>

